

Low power series 35W~400W



AC/DC Switching Power Supply

Features

- ⦿ Strong loading
- ⦿ Load power <1W
- ⦿ Stable & reliability(100%loading ageing
- ⦿ Short circuit /overload protection
- ⦿ Forced cooling above 250W
- ⦿ Standby 1W
- ⦿ RoHs
- ⦿ Heating :Natural cooling
- ⦿ Good shielding, anti-interference performance and Electromagnetic compatibility, lightning protection, output overcurrent, short circuit protection, overheating protection, sub-recovery and other functions

Product Description

- ⦿ Automated Industry
- ⦿ Mechanical control system
- ⦿ Machinery and electrical equipment
- ⦿ Security Monitoring
- ⦿ Electronic equipment

Application

Railway communication, display screen, monitoring equipment, petrochemical industry, industrial control, long-distance DC power supply system, switching system and other communication equipment, etc.

GK220SXX-35W~400W

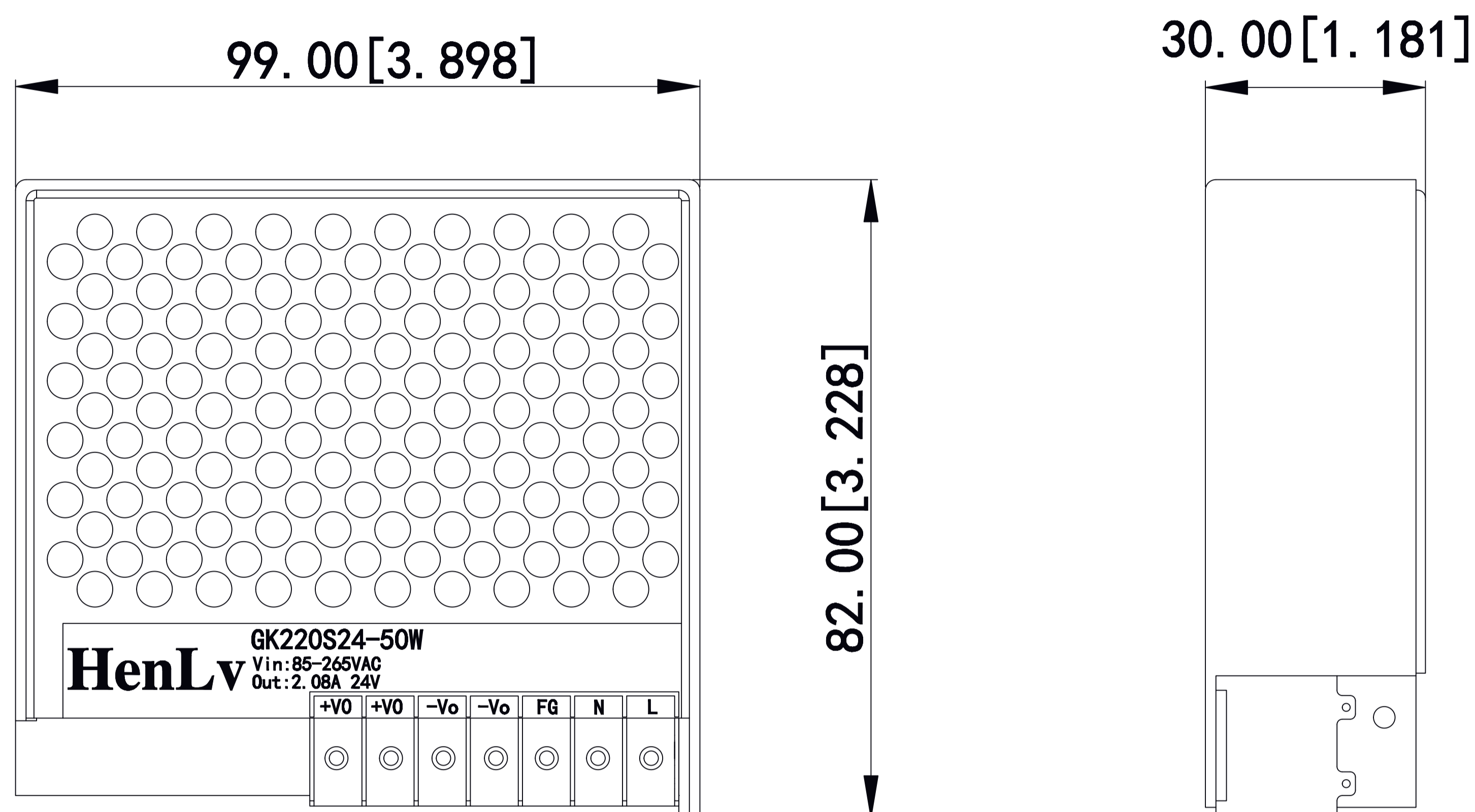
Item	Input Voltage (V)	Output Voltage (V±2%)	Full-load output current (A)	Efficiency	Isolation (VAC)	Weight(g) (±5)	Package	Certification
GK220SXX-35W	90-264VAC	5V, 12V, 15V 24V, 36V, 48V	5.95A, 2.92A, 2.33A 1.46A, 0.97A, 0.73A	85%	3000VAC			
GK220SXX-50W	90-264VAC	5V, 12V, 15V 24V, 36V, 48V	8.5A, 4.17A, 3.33A 2.08A, 1.39A, 1.04A	85%	3000VAC			
GK220SXX-75W	90-264VAC	5V, 12V, 15V 24V, 36V, 48V	12.75A, 6.26A, 5A 3.13A, 2.08A, 1.56A	87%	3000VAC			
GK220SXX-100W	90-264VAC	5V, 12V, 15V 24V, 36V, 48V	17A, 8.33A, 6.67A 4.17A, 2.78A, 2.08A	83%	3000VAC			
GK220SXX-150W	90-132VAC 180-264VAC,Adjustable	5V, 12V, 15V 24V, 36V, 48V	25.5A, 12.5A, 10A 6.25A, 4.17A, 2.08A	84%	3000VAC			
GK220SXX-200W	90-132VAC 180-264VAC,Adjustable	5V, 12V, 15V 24V, 36V, 48V	34A, 16.67A, 13.33A 8.33A, 5.56A, 4.17A	86%	3000VAC			
GK220SXX-350W	90-132VAC 180-264VAC,Adjustable	5V, 12V, 15V 24V, 36V, 48V	59.5A, 29.17A, 23.33A 14.58A, 9.72A, 7.29A	88%	3000VAC			
GK220SXX-400W	90-132VAC 180-264VAC,Adjustable	4.2V, 5V, 12V 15V, 24V, 36V, 48V	66.67A, 68A, 28.33A 26.67A, 16.67A, 11.11A, 8.33A	88%	3000VAC			

Customized is approved .Welcome to call us if have special demands .The performance meets Book1 and suitable for full temperature range except special claim(-25°C≤Tc≤70°C)

➡ Dimensions&Pin Method

◎ GK220SXX-35-50W Series

99.00*82.00*30.00(mm)

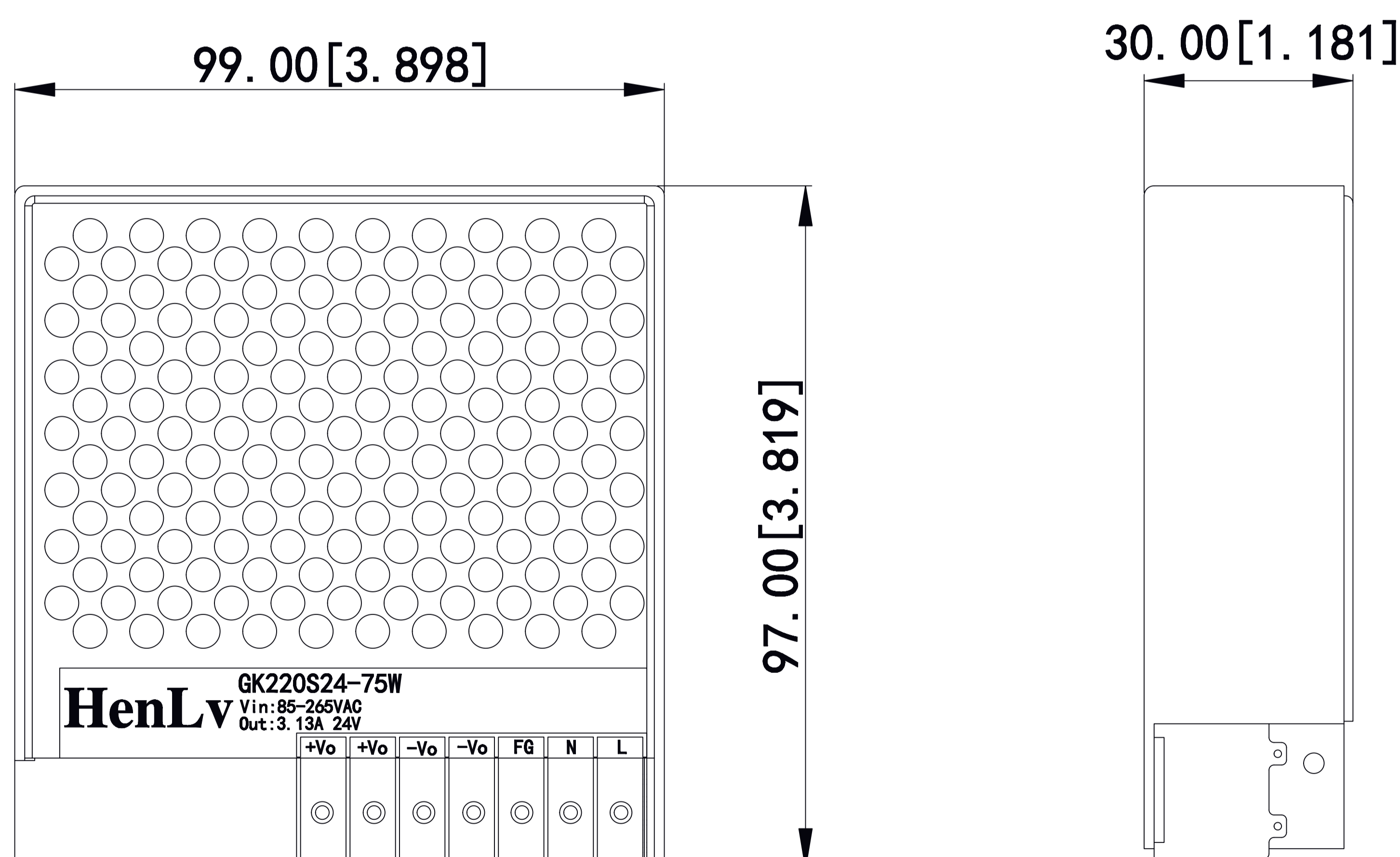


Pin	Single
1	L
2	N
3	FG
4	-Vo
5	-Vo
6	+Vo
7	+Vo

Size Unit : mm[inch]
 Terminal diameter tolerance : $\pm 0.10[\pm 0.004]$
 Unmarked tolerance : $\pm 0.25[\pm 0.010]$

◎ GK220SXX-75W Series

99.00*97.00*30.00(mm)



Pin	Single
1	L
2	N
3	FG
4	-Vo
5	-Vo
6	+Vo
7	+Vo

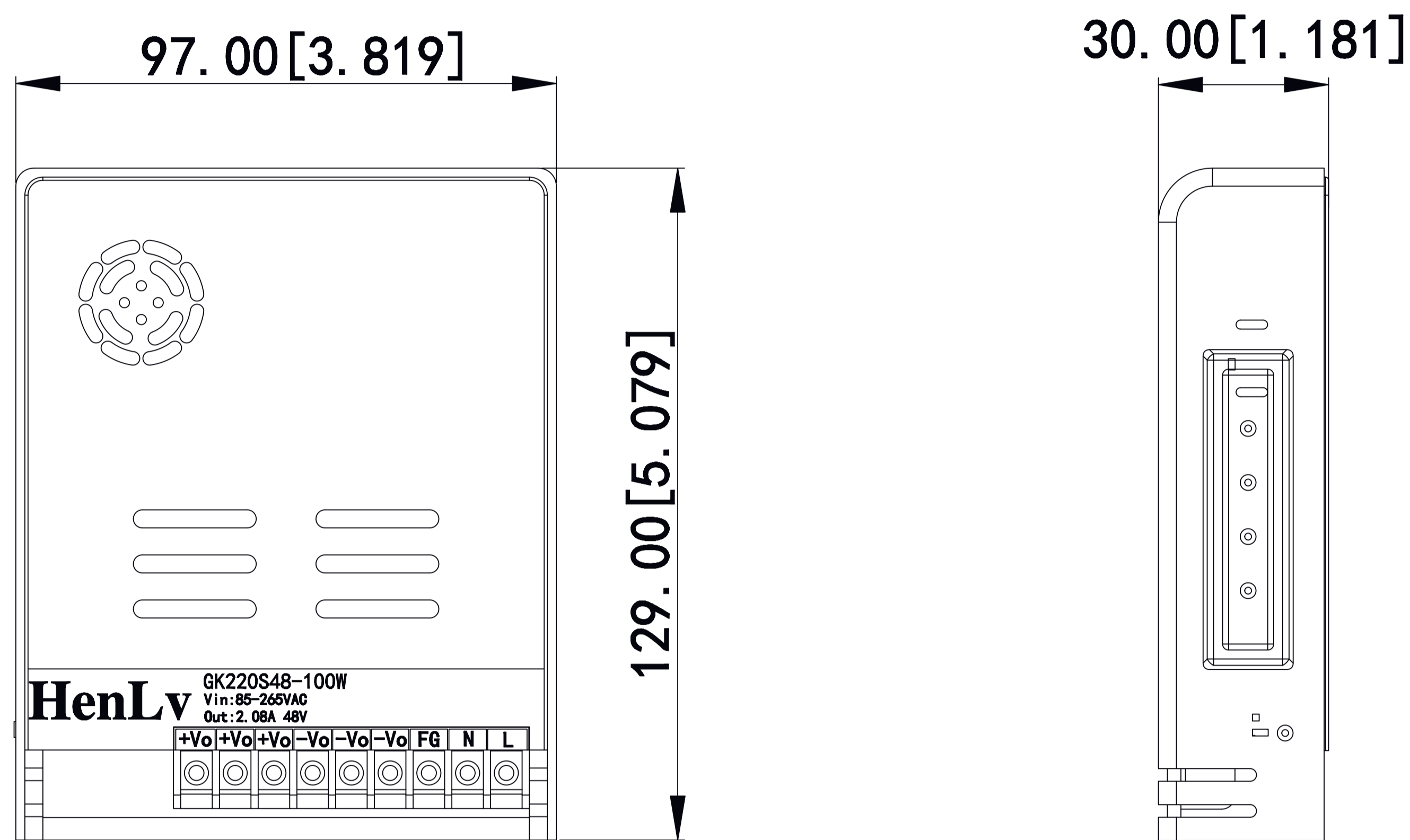
Size Unit : mm[inch]
 Terminal diameter tolerance : $\pm 0.10[\pm 0.004]$
 Unmarked tolerance : $\pm 0.25[\pm 0.010]$

Customized is approved .Welcome to call us if have special demands .The performance meets Book1 and suitable for full temperature range except special claim($-25^{\circ}\text{C} \leq T_c \leq 70^{\circ}\text{C}$)

Dimensions & Pin Method

◎ GK220SXX-35-150W Series

129.00*97.00*30.00(mm)



Pin	Single
1	L
2	N
3	FG
4	-Vo
5	-Vo
6	-Vo
7	+Vo
8	+Vo
9	+Vo

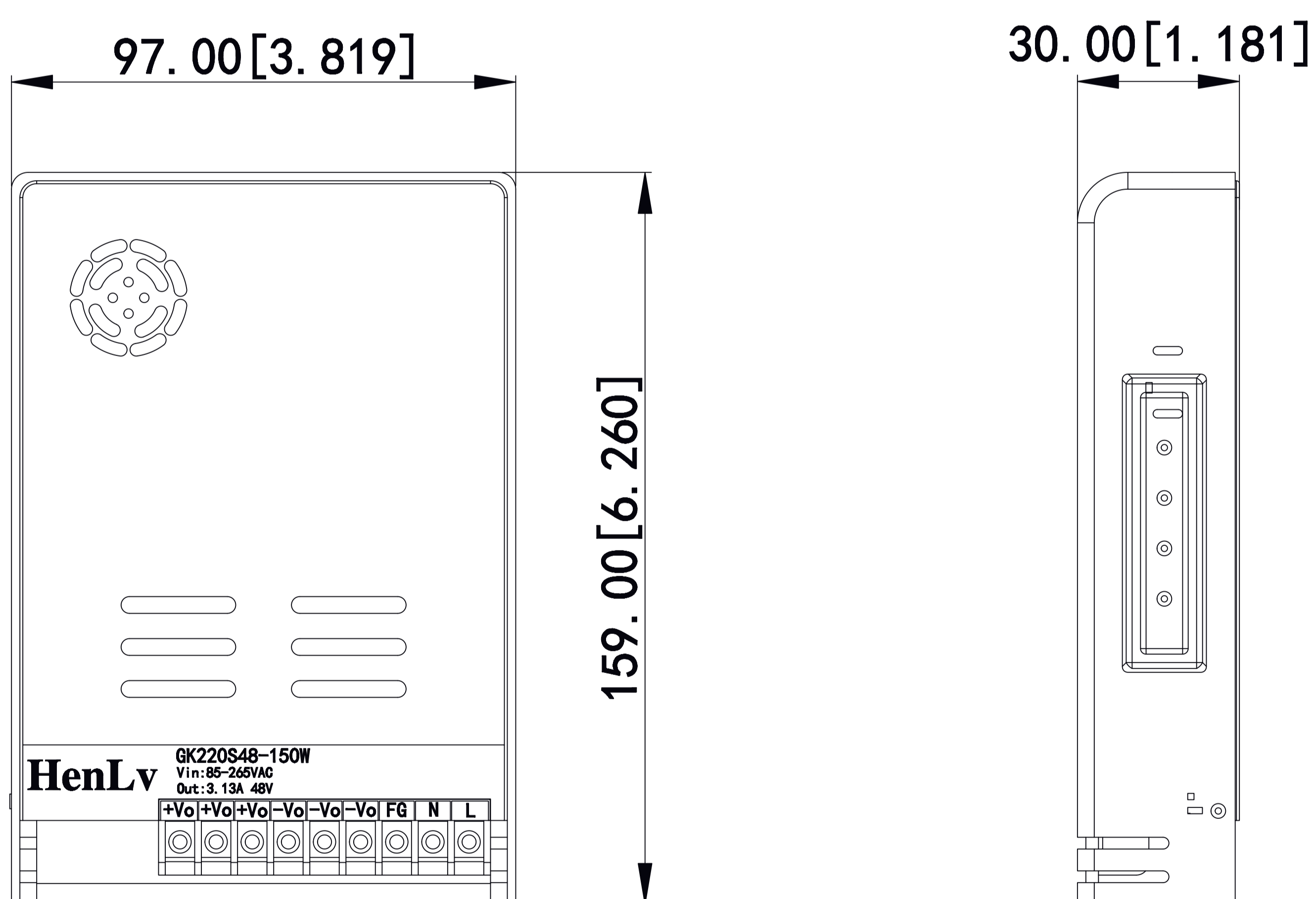
Size Unit : mm [inch]

Terminal diameter tolerance : ± 0.10 [± 0.004]

Unmarked tolerance : ± 0.25 [± 0.010]

◎ GK220SXX-35-150W Series

159.00*97.00*30.00(mm)



Pin	Single
1	L
2	N
3	FG
4	-Vo
5	-Vo
6	-Vo
7	+Vo
8	+Vo
9	+Vo

Size Unit : mm [inch]

Terminal diameter tolerance : ± 0.10 [± 0.004]

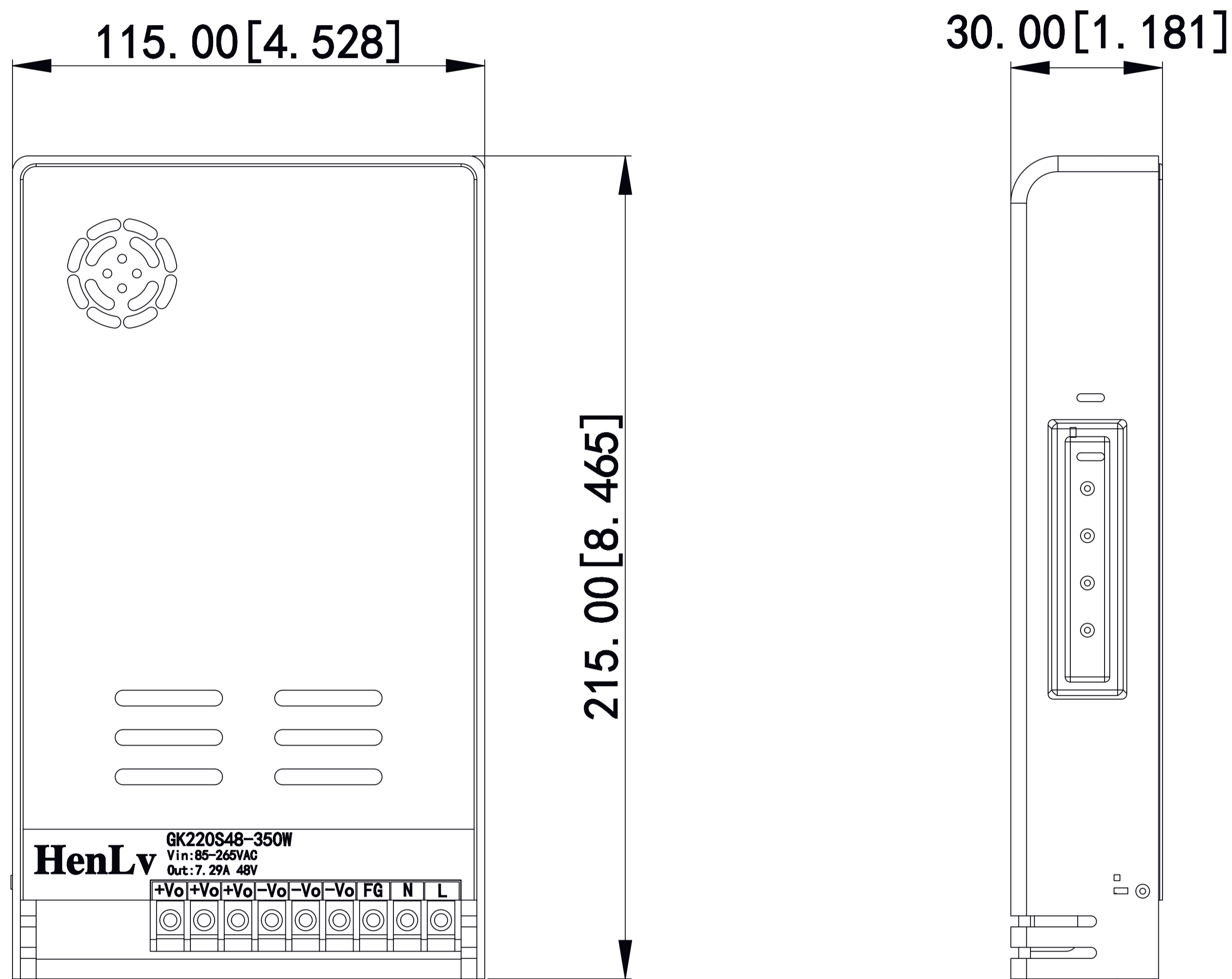
Unmarked tolerance : ± 0.25 [± 0.010]

Customized is approved .Welcome to call us if have special demands .The performance meets Book1 and suitable for full temperature range except special claim($-25^{\circ}\text{C} \leq T_c \leq 70^{\circ}\text{C}$)

Dimensions & Pin Method

◎ GK220SXX-200-400W Series

215.00*115.00*30.00(mm)



Pin	Single
1	L
2	N
3	FG
4	-Vo
5	-Vo
6	-Vo
7	+Vo
8	+Vo
9	+Vo

Size Unit : mm [inch]

Terminal diameter tolerance : ± 0.10 [± 0.004]

Unmarked tolerance : ± 0.25 [± 0.010]

Customized is approved .Welcome to call us if have special demands .The performance meets Book1 and suitable for full temperature range except special claim($-25^{\circ}\text{C} \leq T_c \leq 70^{\circ}\text{C}$)

Electrical Characteristics

Electrical Characteristics

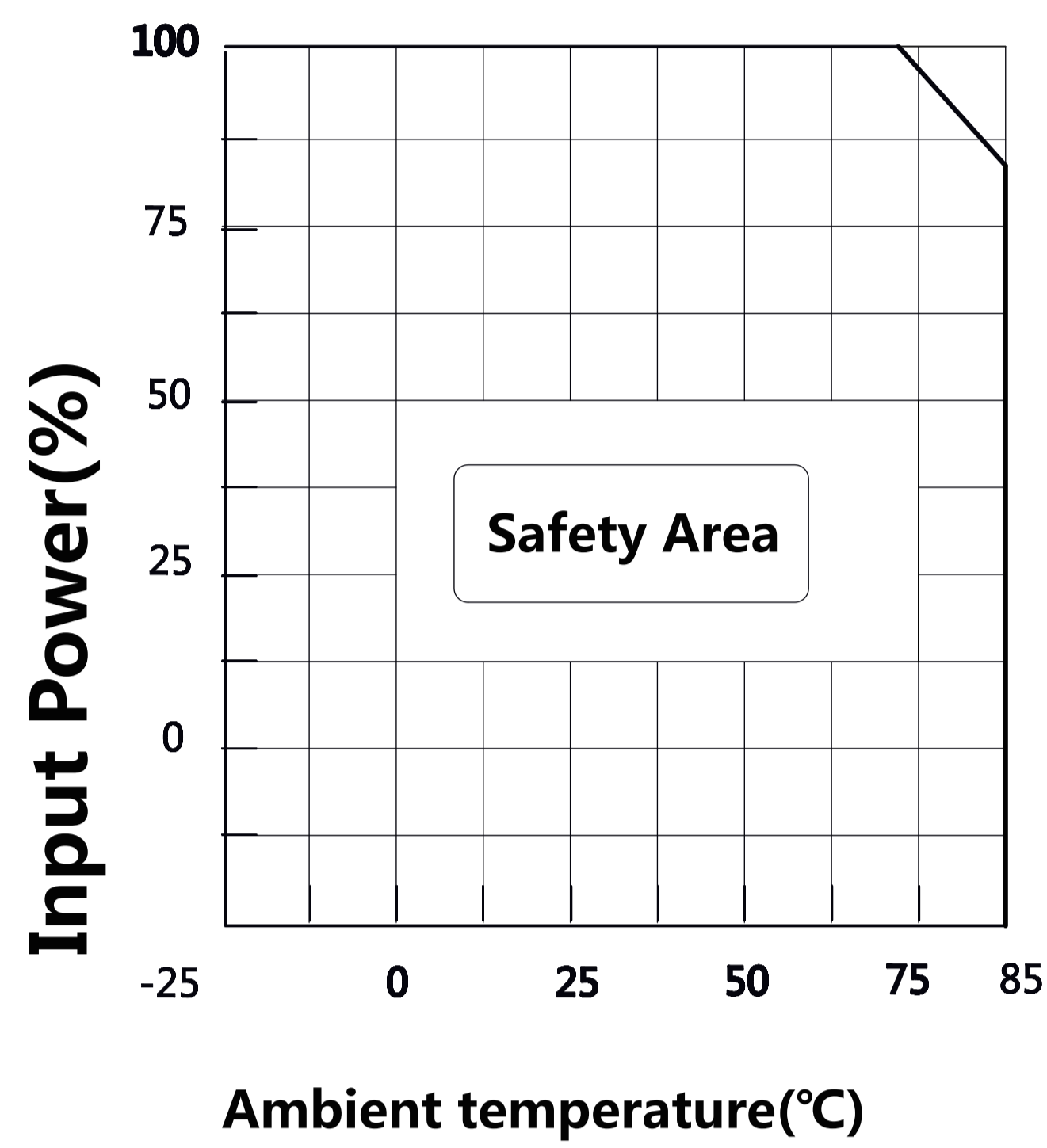
Feature	Symbol	Conditions unless otherwise specified Conditions unless otherwise specified $V_i, -25^{\circ}\text{C} \leq T_c \leq 70^{\circ}\text{C}$	limit Value		Unit
			MIN	MAX	
Output voltage	V_o	Full load	$V_o - 2\%V_o$	$V_o + 2\%V_o$	V
Max output current	$I_{o\max}$	—	—	$\frac{P_o(\text{output power})}{U_o(\text{output current})}$	A
Output ripple voltage	V_{P-P}	Full load, $V_i, BW=20\text{MHz}$, Normal Temp	$50 \pm 10\%$	$500 \pm 10\%$	mV
Load adjust rate	S_v	$V_{i\min}, V_i, V_{i\max}, \text{Full load}$	—	2.00	%
Efficiency	S_i	$V_i, I_o = (10\% - 100\%) I_{o\max}$	—	1.00	%
General Factors	η	$V_i, \text{Full Load}$, Normal Temp	80.00	—	%

General Factors

Safety Electromagnetic Compatibility	Safety	GB-4943 UL62368 EN62368
	Withstand voltage	I/P-O/P:3KVAC I/P-FG:2KVAC O/P-FG:0.5KVAC
	Insulation resistance	I/P-O/P,I/P-FG,O/P-FG:100M Ohms/500VDC/25°C/70%RH
	EMC emission	EN55032 ClassB CISPR32 ClassB
	Immunity	EN61000-4-2-3-4-5-6-8-11
Temp Drift	0.03%/°C	
Temp/Humidity	Temp(Working:-25C-70C ;storage :-40_85C) Humidity (Working :20-90% No condensation ; storage :10-95%No condensation)	
Leakage current	<2mA/240VAC	
MTBF	> 50,000h/25°C	

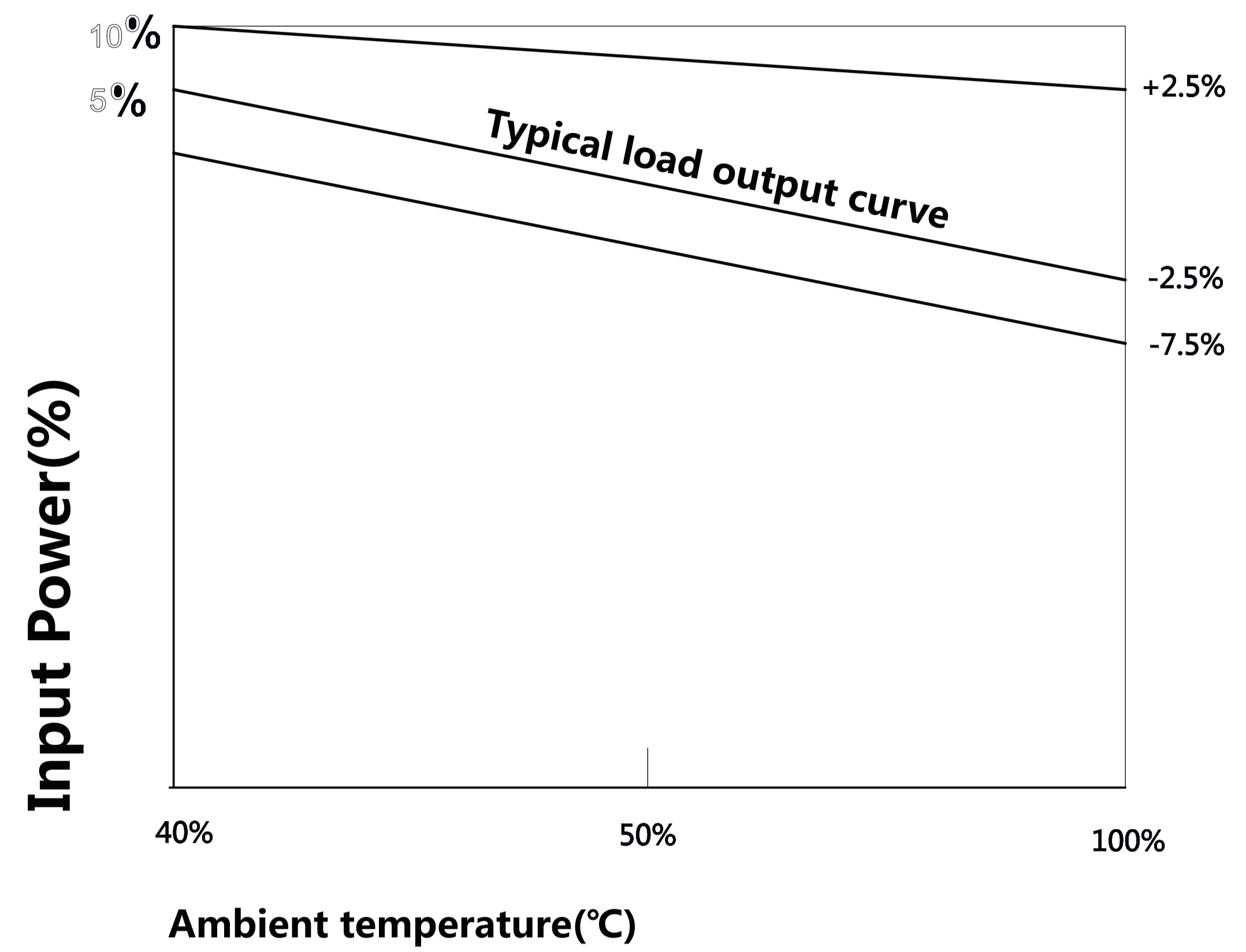
Dimensions & Pin Method

Typical efficiency curve



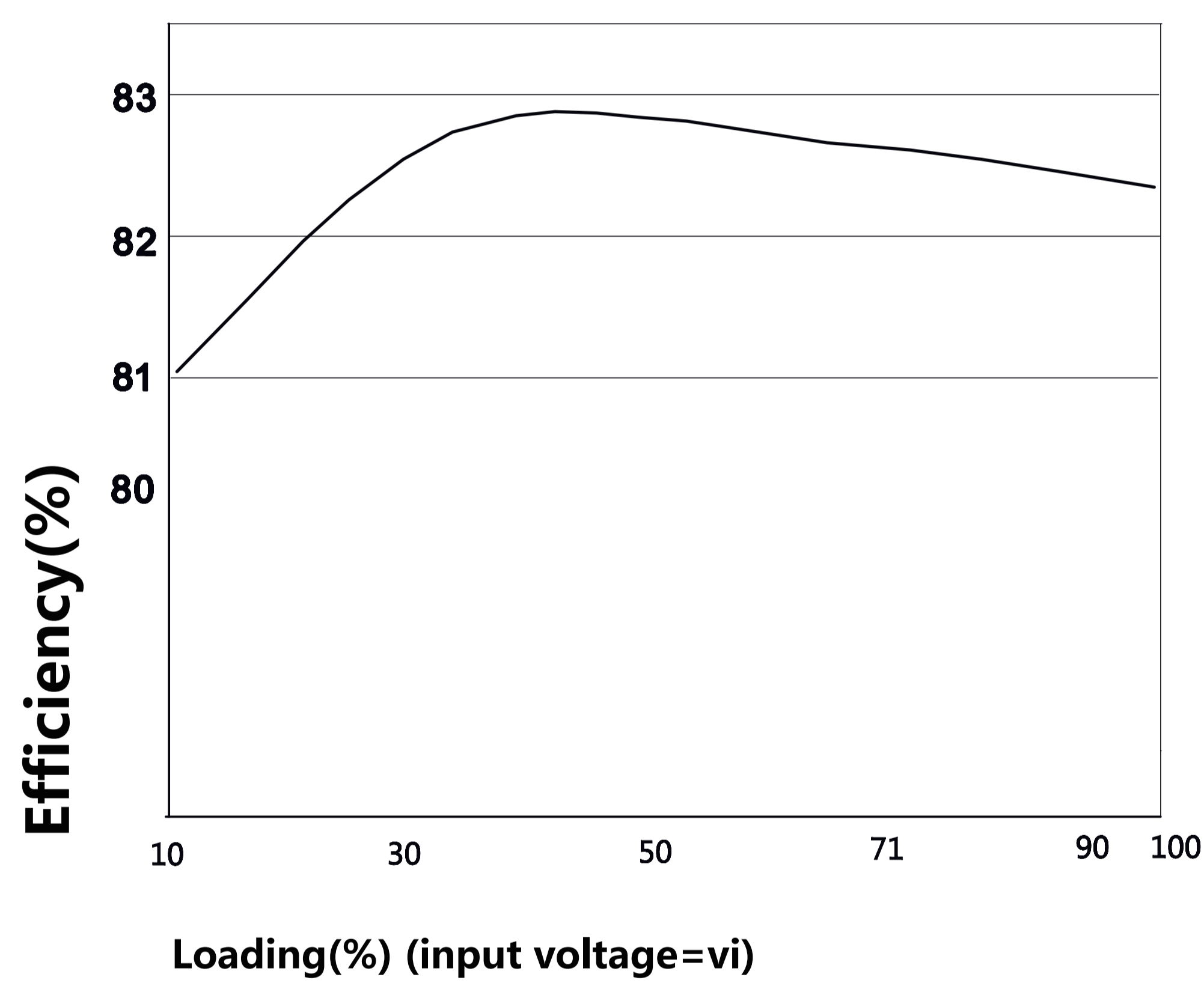
Temp Curve

Safety Area

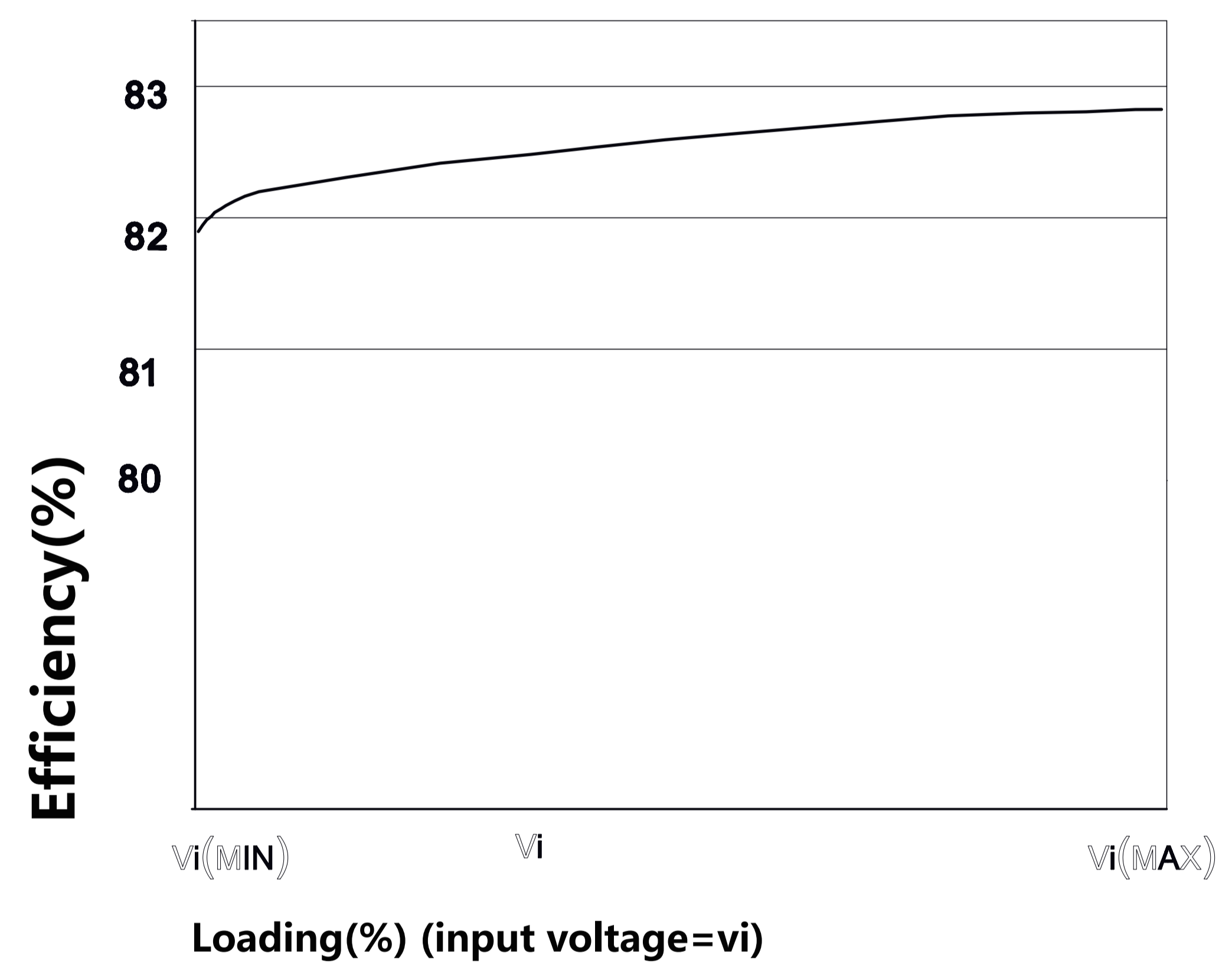


Error Envelope curve

Typical efficiency curve



Efficiency / Loading curve



Efficiency / Input voltage curve